

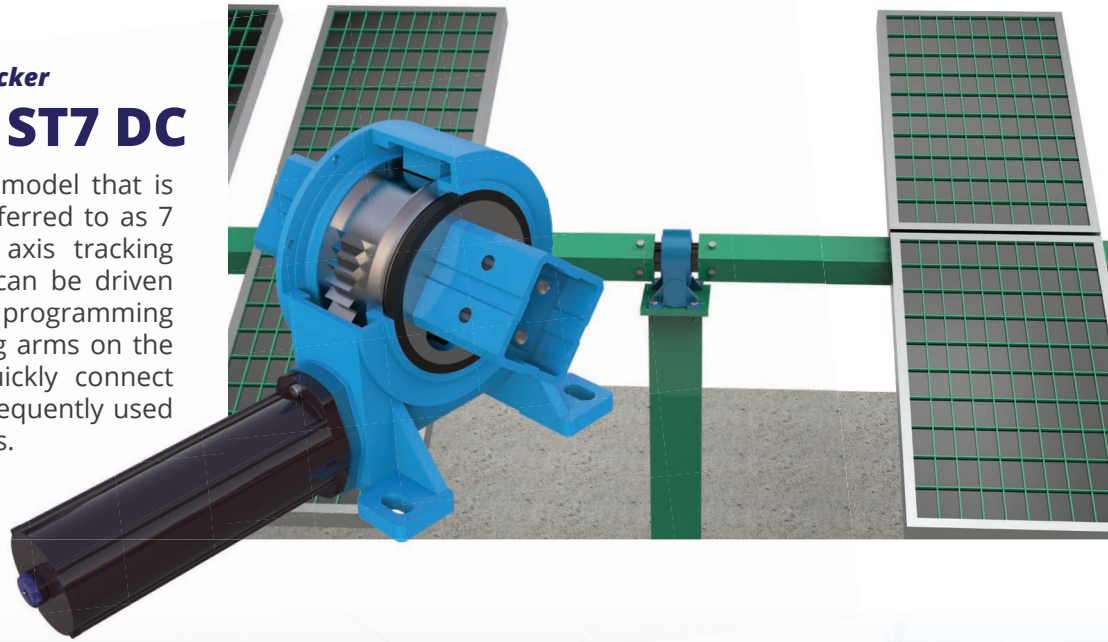


# TURKIYE'S LEADING SOLAR TRACKER MANUFACTURER

*Single Axis Solar Tracker*

## REMAK SOLAR ST7 DC

Solar Tracker St7 model is a model that is accepted worldwide and is referred to as 7 inch solar tracker in single axis tracking systems. It is a system that can be driven with a DC motor due to its programming feature. Thanks to the holding arms on the reducer, it is possible to quickly connect 120x120 profiles, which are frequently used in current projects.



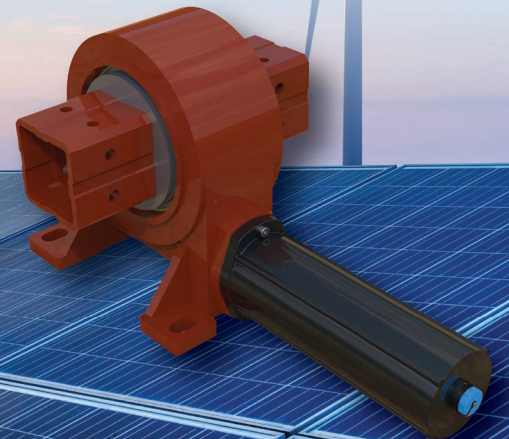
## Why Not 25% More?

With more than 9 types of Solar Tracker Systems and 52 different reducer options!

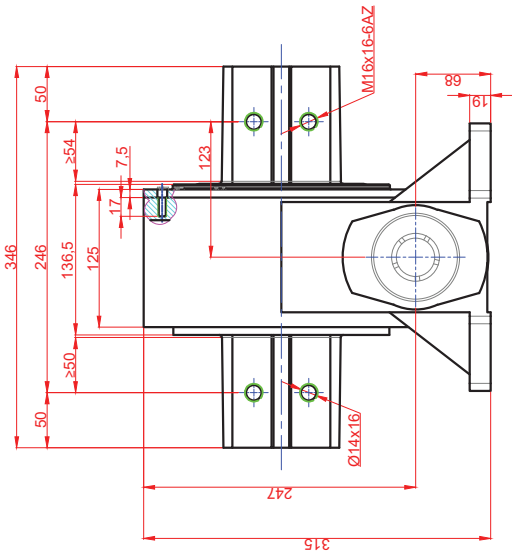


### PATENTED GEAR DESIGN

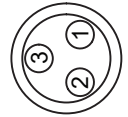
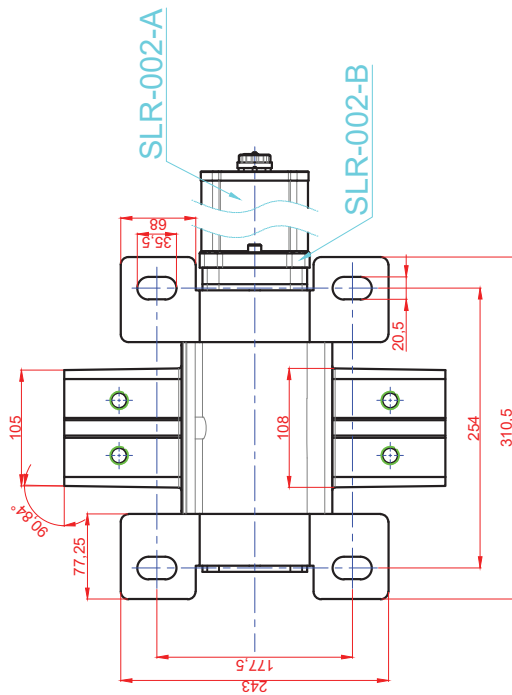
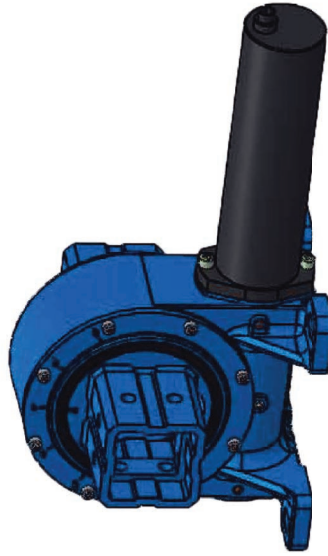
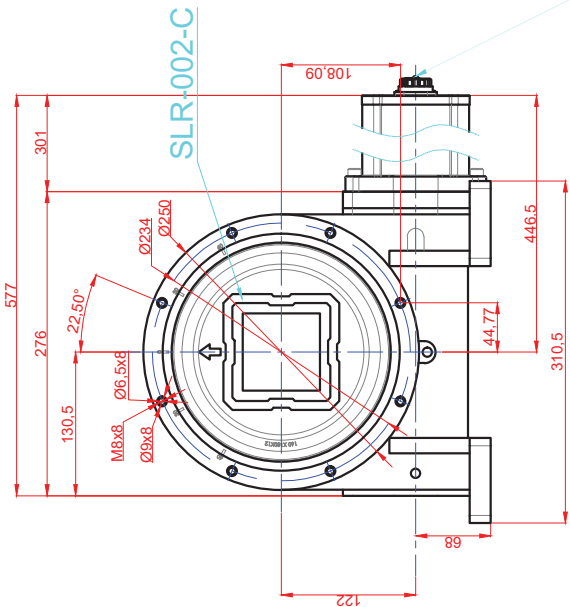
Mechanical-automatic stopping feature that works at a certain angle and prevents the panels from falling in case of accidents that may occur due to wind or any other situation.



GEARBOX PERFORMANCE PARAMETERS	
Output Speed	0.03 RPM
Output Torque	7320Nm
Max Output Torque	11200 Nm
Rotating Moment Torque	8000 Nm
Holding Torque	40000 Nm
Static Axial Load	110000 N
Static Radial Load	60000 N
Worm Screw Reduction Ratio	1/50
Gearbox Space Degree	<0.15°
Ip (Insulation Class)	66
Efficiency	%40
Operating Temperature Range	-40°C +80°C
DC MOTOR TECHNICAL PARAMETERS	
Voltage	24 VDC
Current	<7.5 A
Output Power	150 W
Output Speed	1.6 RPM
Output Torque	360 Nm
Max Output Torque	550 Nm
Noise	<65 dB



Connection : SP2113/P3



Engine Connection  
 Pin1 Engine-  
 Pin2 Engine+  
 Pin3 GND



REV A



SIZE A4

SYMBOL ISO



SHEET 1/1

ST7 Solar Tractor DC

## Main Factory

Kemalpaşa Organized Industrial  
 Zone Kuyucak Yolu No: 211  
 Kemalpaşa İzmir / Turkey

## United States Headquarters

4313 GB 75. Caddesi Miami, Florida  
 33155 ABD

+90 (544) 218 50 55 / +1 786 448 26 40

www.remaksolar.com